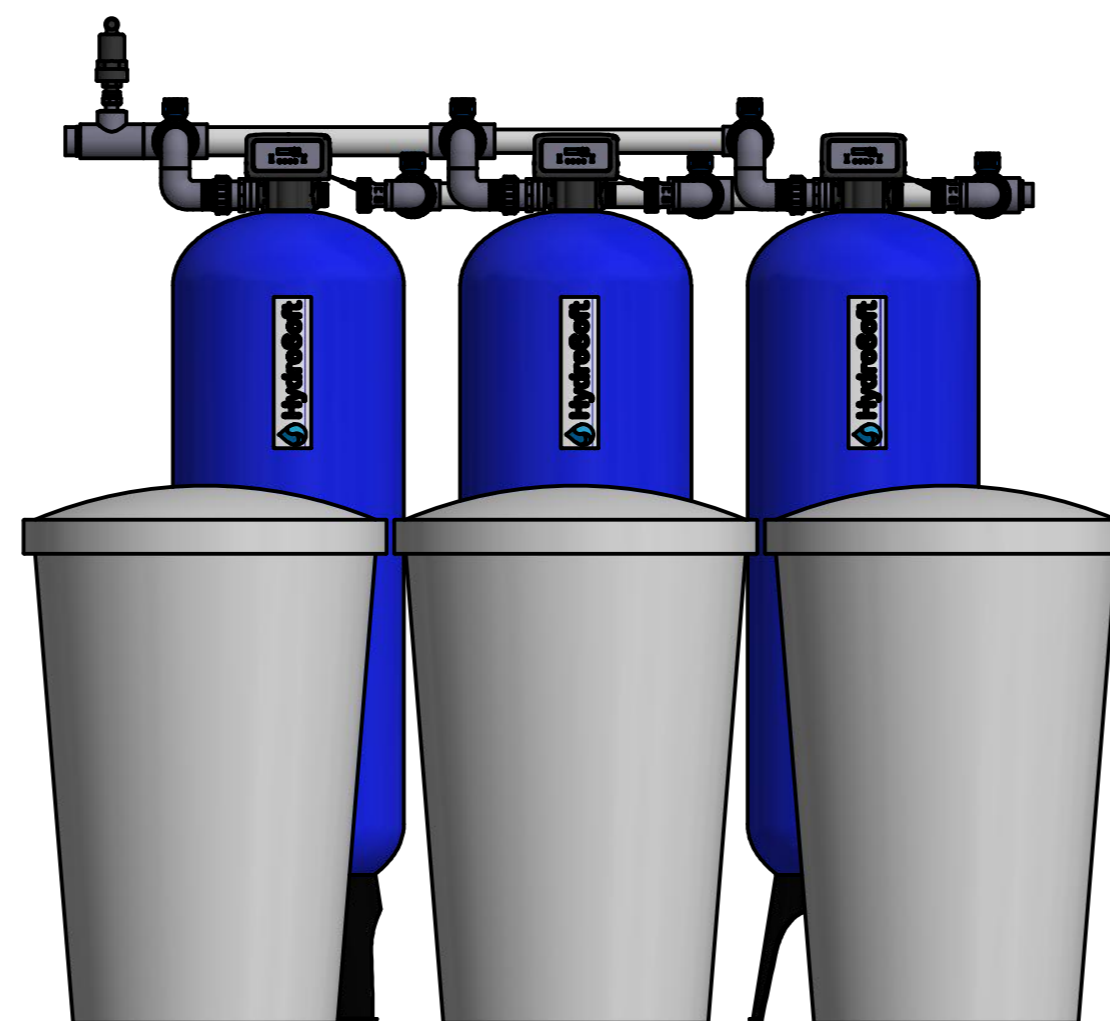
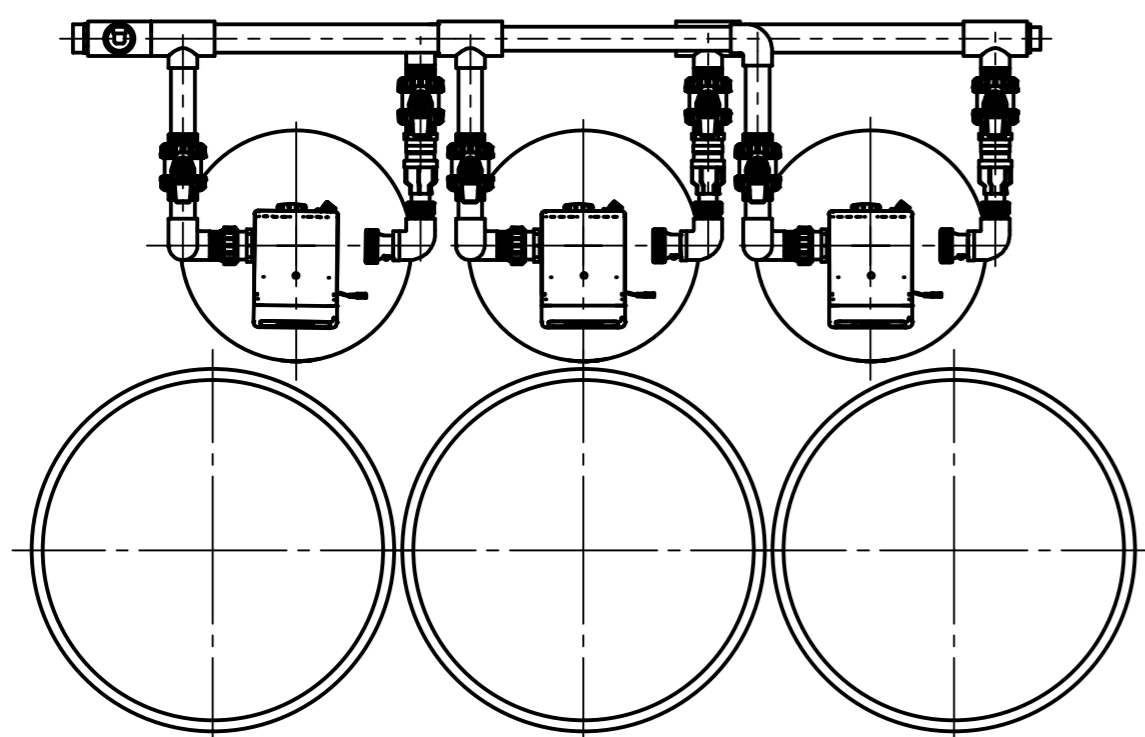
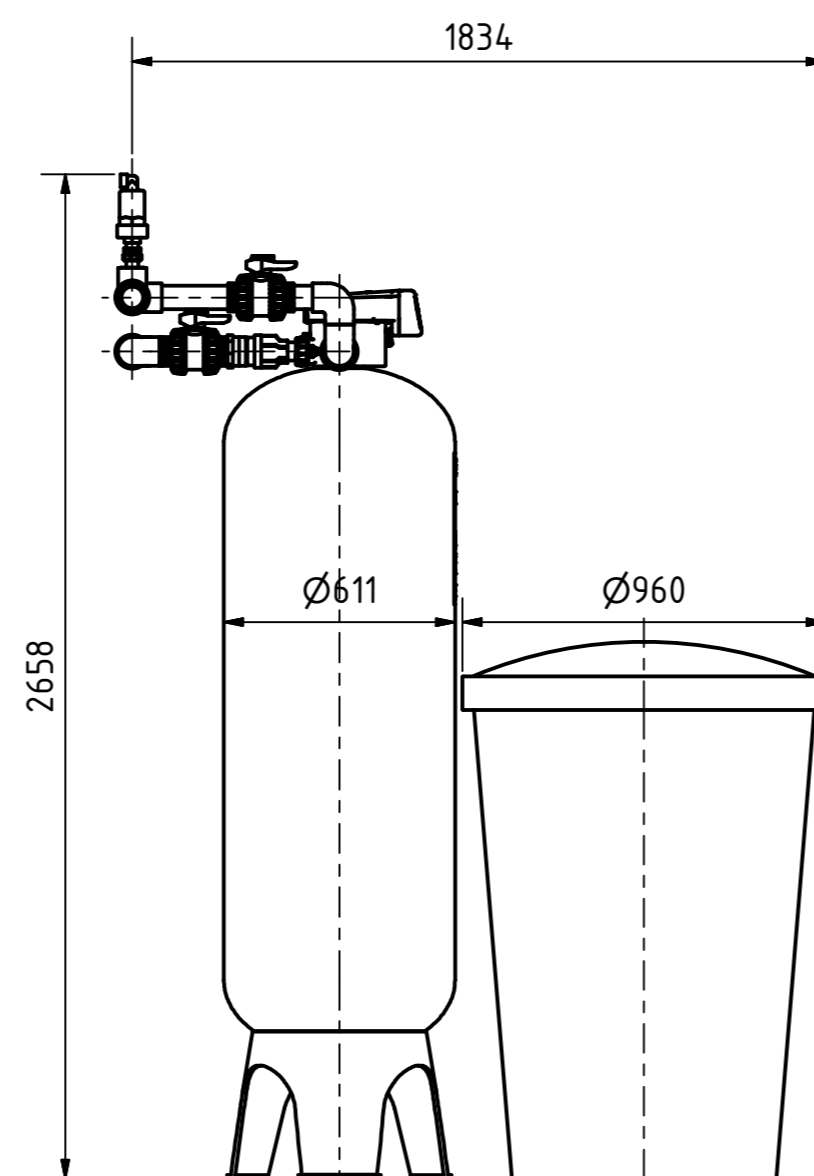
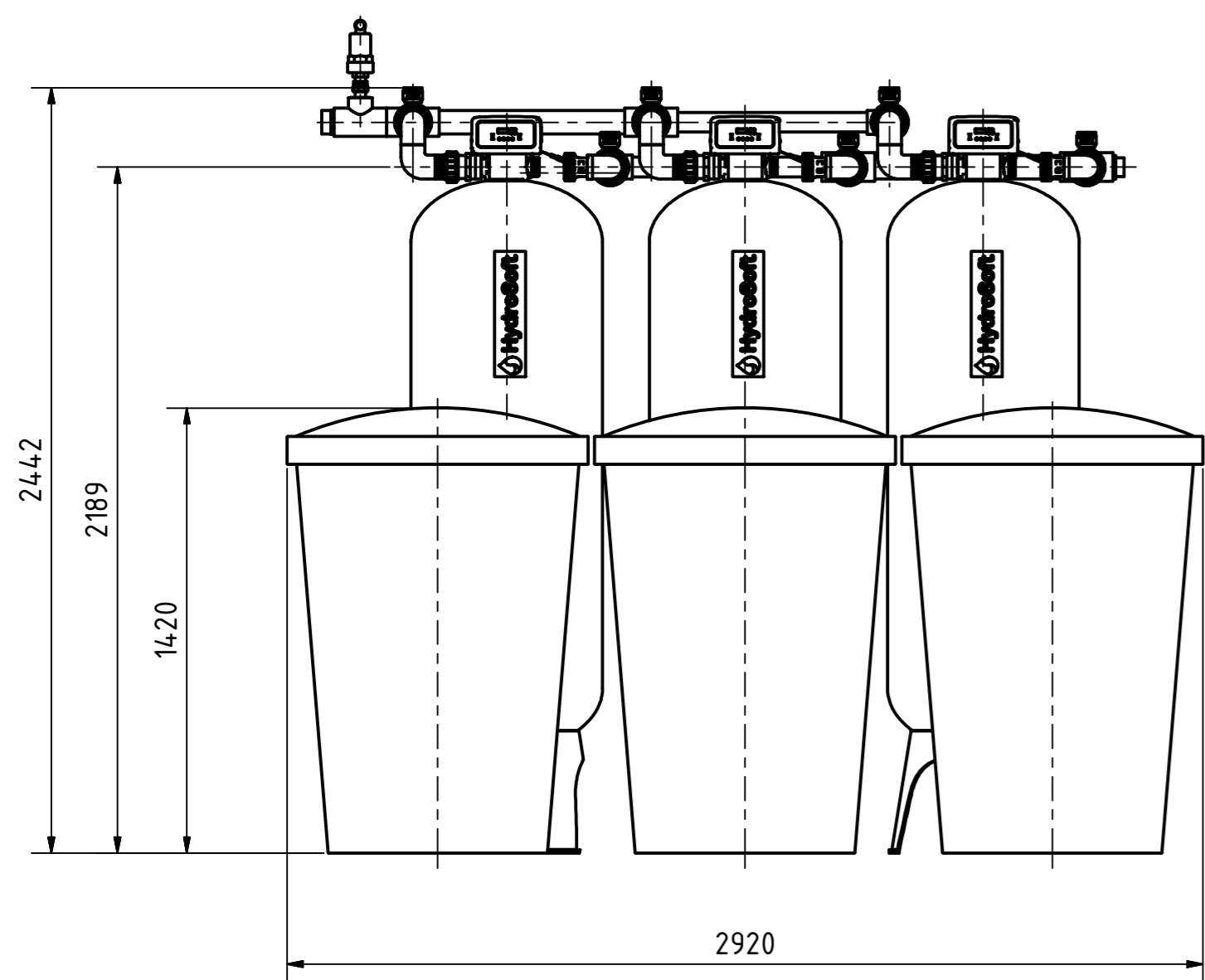




A

B

C



Client		Name	DANUM s.r.o. Hadovce 148 945 01 Komárno Slovakia T: +421 (0) 907 187 800 E: danum@danum.sk W: www.danum.sk			
		Unit	 Danum Komplexná úprava vody			
Client Drw.						
Title		1200T/HYS2 BS_1200_t1-74				
Projection	Reference	Project	Drawing	Sheet	Revision	
	Format	Scale				
	A2	1 : 20		-		

A

B

C